

# INSTALLATION INSTRUCTIONS

## THREADED PIPE COUPLER

CMA-270 

The CMA-270 Threaded Pipe Coupler is designed for ease of installation with any two lengths of standard 1½" NPT pipe, threaded on one or both ends.

**WARNING: IMPROPER INSTALLATION MAY RESULT IN SERIOUS PERSONAL INJURY!**

All components must be securely fastened to a structural member capable of supporting five times the combined weight of all components plus the equipment being mounted. If it cannot support this weight, the structure **MUST** be reinforced.

The maximum weight to be installed on the column is 500 pounds (226.8 Kg).

Unpack and check contents:

- (1) Threaded Pipe Coupler
- (2) 5/16 – 18 Socket Set Screws
- (1) 5/32" Hex Wrench

### INSTALLATION INSTRUCTIONS

1. Thread standard 1½" NPT pipes into coupler, tightening securely.
2. Install 5/16" – 18 socket set screws and tighten them securely.

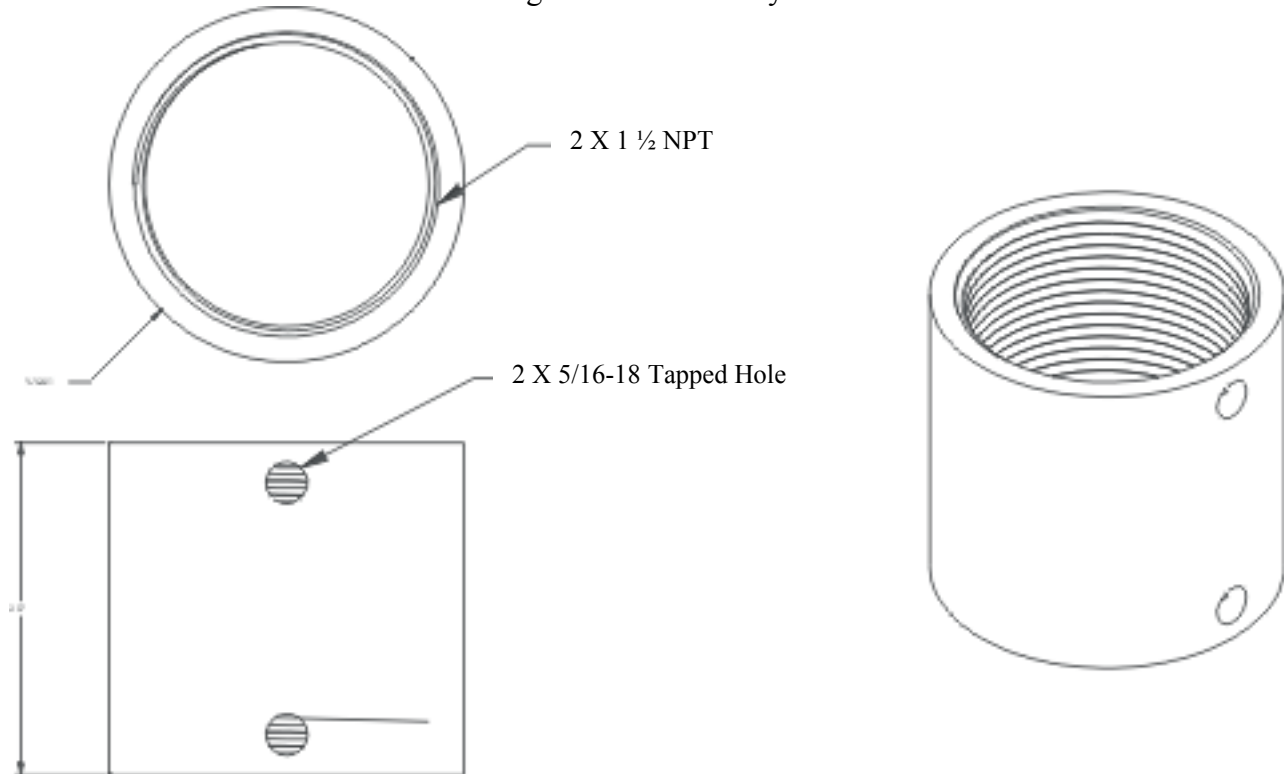


Figure 1. CMA-270 Threaded Pipe Coupler



**CHIEF MANUFACTURING INC.**  
1-800-582-6480 952-894-6280 FAX 952-894-6918  
12800 HIGHWAY 13 SOUTH, SUITE 500  
SAVAGE, MINNESOTA 55378 USA

8803-000016  
2003 Chief Manufacturing  
[www.chiefmfg.com](http://www.chiefmfg.com)

01/03